

# Catalogue No: 2080-LC10-12AWA

## M810 8DI 4DO RELAY 240V AC

Automation Systems > Micro Programmable Controllers and Smart Relays > Smart Relays > Allen-Bradley® Micro810® Controllers > Micro810® Controllers



Representative Photo Only  
(actual product may vary based on configuration selections)

### Micro810 Controller, 8 Digital Input - 120/240V AC, 4 Digital Output Relay, 120/240V AC Power Supply

- Flexible power supply options available (12V DC, 24V DC and 240V AC)
- 4A and 8A outputs eliminate the need for external relays
- Four inputs can be configured as 0-10V DC analogue inputs (DC Models only)
- Program download via USB programming port (2080-USB-ADAPTER required)
- Optional 1.5" local LCD for monitoring / modifying application data
- Optional LCD display also functions as a backup memory module
- Configure and run core smart relay function blocks without software (2080-LCD screen required)

#### SPECIFICATIONS

Product Series	Micro810 (Bul. 2080-LC10)
Component Type PLC & I/O	Controller with onboard I/O
Un, Nominal Operational Voltage(s), AC	120 V AC 240
Memory, Program	2 kB memory
Memory, Data	4 kB memory
Quantity, Total Input	8 qty
Quantity, Digital Input	8 qty
Type, Digital Input	120/240V AC type
Quantity, Total Output	4 qty
Quantity, Relay Output	4 qty
Type, Relay Output	NO 30V DC / 250V AC type
Number of Digital Inputs	8 qty
Digital Input Type	240V AC type 120V AC
Number of Digital Outputs	4 qty
Digital Output Type	Relay type
Real Time Clock	Integrated
Display Type	Optional 1.5" Plug-in Display
Base Unit Plug-In Slots	None
Operating Temperature, Max	65 °C max
Operating Temperature, Min	-20 °C min
Storage Temperature, Max	85 °C max
Storage Temperature, Min	-40 °C min
Relative Humidity, Max	95 %RH
Humidity Type	Non-condensing
IP Rating	IP20
Shock Acceleration (Max.)	30 g
Vibration Acceleration (Max.)	2 m/s <sup>2</sup>

# Catalogue No: **2080-LC10-12AWA**

## M810 8DI 4DO RELAY 240V AC

Automation Systems > Micro Programmable Controllers and Smart Relays > Smart Relays > Allen-Bradley® Micro810® Controllers > Micro810® Controllers



Vibration Frequency, Operational (Max.) 500 Hz

### REFERENCES

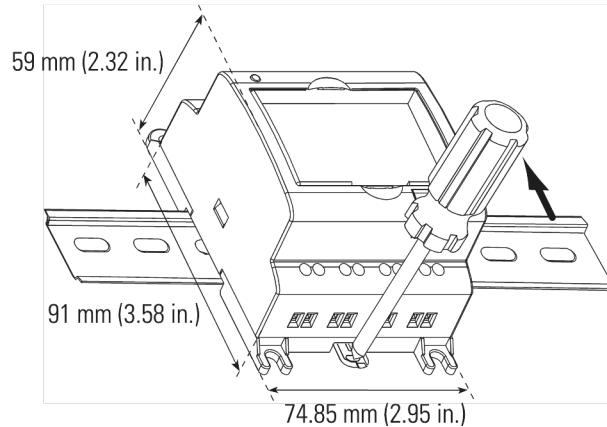
IECEX Certificate	-
Supplier Declaration of Conformity:	-
Installation Guide:	-
User Manual:	-
Manufacturer Datasheet:	<a href="#">2080LC1012AWA_ManufacturerDatasheet</a>
Manufacturer Catalogue & Product Selection:	-

## Mounting Dimensions

Mounting dimensions do not include mounting feet or DIN rail latches.

### *Micro810 Controllers*

*2080-LC10-12AWA, 2080-LC10-12QWB, 2080-LC10-12QBB,  
2080-LC10-12DWD*



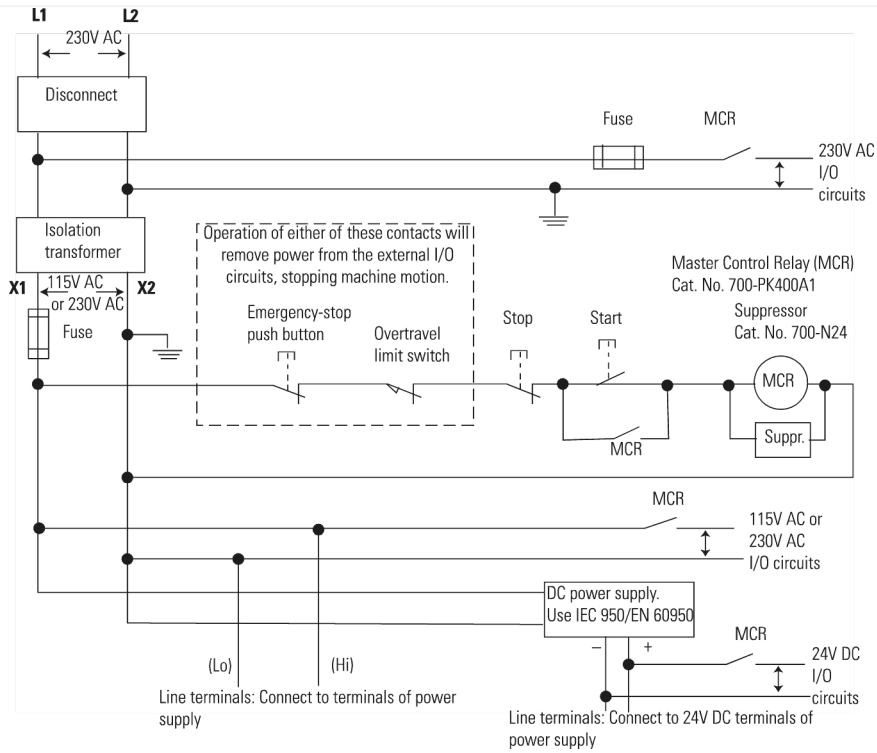
Dimension Diagram

45054

# Catalogue No: 2080-LC10-12AWA

## M810 8DI 4DO RELAY 240V AC

Automation Systems > Micro Programmable Controllers and Smart Relays > Smart Relays > Allen-Bradley® Micro810® Controllers > Micro810® Controllers



Connection / Wiring Diagram