

# Catalogue No: **800FP-P5**

## PL 22.5mm PLASTIC YELLOW

Operator Control Devices > Pushbuttons and Control Switches > Pushbuttons and Pilot Lights > Allen-Bradley 800F Pushbuttons and Pilot Lights > 800F Pilot Lights > 800F Pilot Light Operators Only



### PILOT LIGHT HEAD YELLOW



- The 800F line of 22.5 mm push buttons is designed and manufactured to demanding performance specifications to ensure you receive optimized durability and performance.
- 800FP operators are made of industrial grade thermoplastic for superior chemical resistance.
- 800FM operators are constructed of tough die cast zinc alloy, finished with chromate plating that can be used in the most arduous applications.

Representative Photo Only  
(actual product may vary based on configuration selections)

#### SPECIFICATIONS

Product Series	800FP
Component Type Pushbutton and Pilot Lights	Pilot Light
Diameter, lens	29.6 mm
Colour, Lens	Yellow colour
Material, Lens	Polyamide
Material, Bezel	Glass-Filled Nylon / PA6 / PA66 (Polyamide 6)
Material, Body / Housing	TP (Thermoplastic) material
Tightening Torque, Nominal	1.7 Nm
Wire / Conductor Size (Min)	0.75 mm <sup>2</sup> min
Lamp Module Included	No
Mounting	22.5mm Mounting
Dielectric Strength	2.5kV for 1 minute
RoHS Approved	Yes
CE Marked	Yes
Operating Temperature, Max	70 °C max
Operating Temperature, Min	-25 °C min
Storage Temperature, Max	85 °C max
Storage Temperature, Min	-40 °C min
Relative humidity, min	50 %RH
Relative Humidity, Max	95 %RH
IP Rating	IP66
Shock Acceleration (Max.)	100 g
Shock Duration (Max.)	11 ms
Vibration Acceleration (Max.)	10 m/s <sup>2</sup>
Vibration Displacement (Peak to Peak Max.)	1.52 mm
Vibration Frequency, Operational (Max.)	2000 Hz
Vibration Duration (Max.)	180 min

# Catalogue No: **800FP-P5**

## PL 22.5mm PLASTIC YELLOW

Operator Control Devices > Pushbuttons and Control Switches > Pushbuttons and Pilot Lights > Allen-Bradley 800F Pushbuttons and Pilot Lights > 800F Pilot Lights > 800F Pilot Light Operators Only



Standards Compliance	NEMA ICS-5 UL 508 EN 60947-1 EN 60947-5-1 EN 60947-5-5 IEC 60947-1 ISO 13850
----------------------	--

Certifications	UR UL CSA CCC CE RoHS
----------------	--------------------------------------

Shipping Approvals	ABS (American Bureau of Shipping)
--------------------	-----------------------------------

### REFERENCES

IECEX Certificate	-
-------------------	---

Supplier Declaration of Conformity:	-
-------------------------------------	---

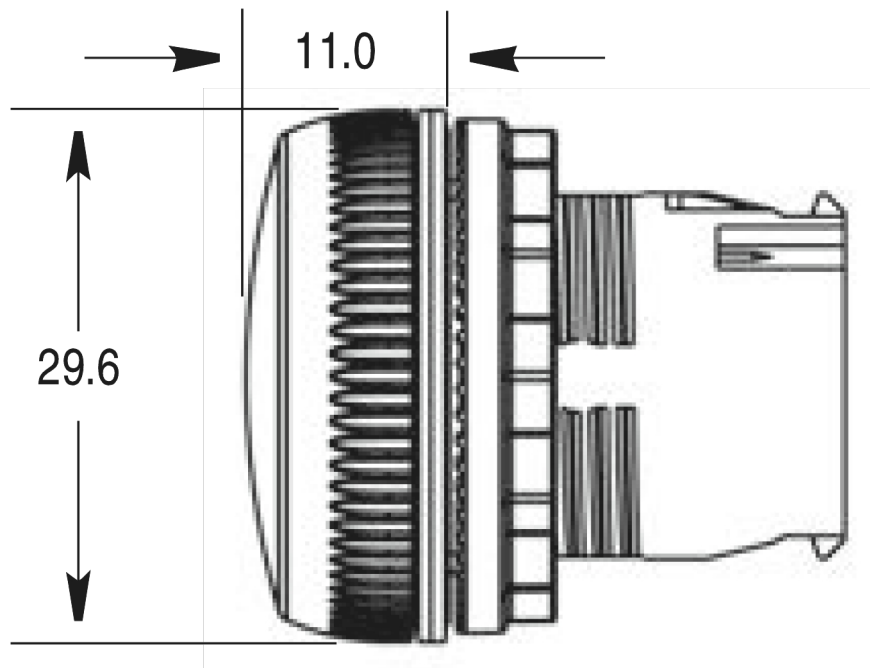
Installation Guide:	-
---------------------	---

User Manual:	-
--------------	---

Manufacturer Datasheet:	<a href="#">800FPP5_Manufacturer Datasheet</a>
-------------------------	--

Manufacturer Catalogue & Product Selection:	<a href="#">800FPP5_Manufacturer Product Selection Guide</a>
---	--

# Pilot Light Operators



Dimension Diagram