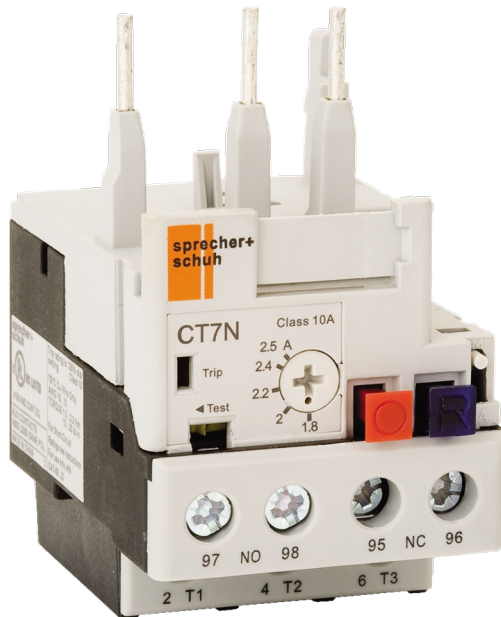


Catalogue No: CT7N-23-A16

OVERLOAD THERMAL 0.1-0.16A FOR CA7-9/23

Motor Control and Drives > Motor Starting and Protection > Motor Protection > Sprecher + Schuh Overloads > Thermal (Bi-Metallic) Overloads > CT7N Thermal Overloads



Representative Photo Only
(actual product may vary based on configuration selections)

Thermal Overload Relay, 0.10...0.16A, for use with CA7-9...23, Trip Class 10A, Auto/Manual Reset

- Consistent and reliable protection for peace of mind
- Differential release for phase loss sensitivity and protection of motors in phase loss conditions
- Ambient temperature compensation from -20°C to +60°C for consistent performance

SPECIFICATIONS

Component Type	Motor Control and Drives	Thermal Overload
Adjustment		1.5 : 1
Current Range (A)		0.1...0.16
Details, Contactor		CA7-9...23
Trip Class		10A
Reset		Automatic / Manual
Contact Configuration		1 NO + 1 NC
Test Function		Yes
Visible Trip Indicator		Yes
Motor FLC, Max		0.16 A, max
Motor FLC, Min		0.1 A, min
Rated Operation Voltage		690 V AC

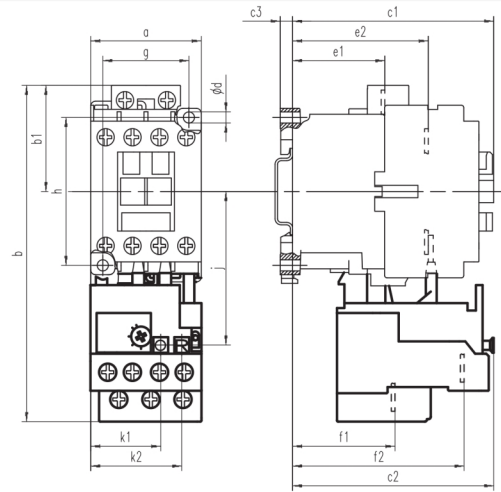
REFERENCES

IECEx Certificate	-
Supplier Declaration of Conformity:	-
Installation Guide:	-
User Manual:	-
Manufacturer Datasheet:	-
Manufacturer Catalogue & Product Selection:	-

Catalogue No: CT7N-23-A16

OVERLOAD THERMAL 0.1-0.16A FOR CA7-9/23

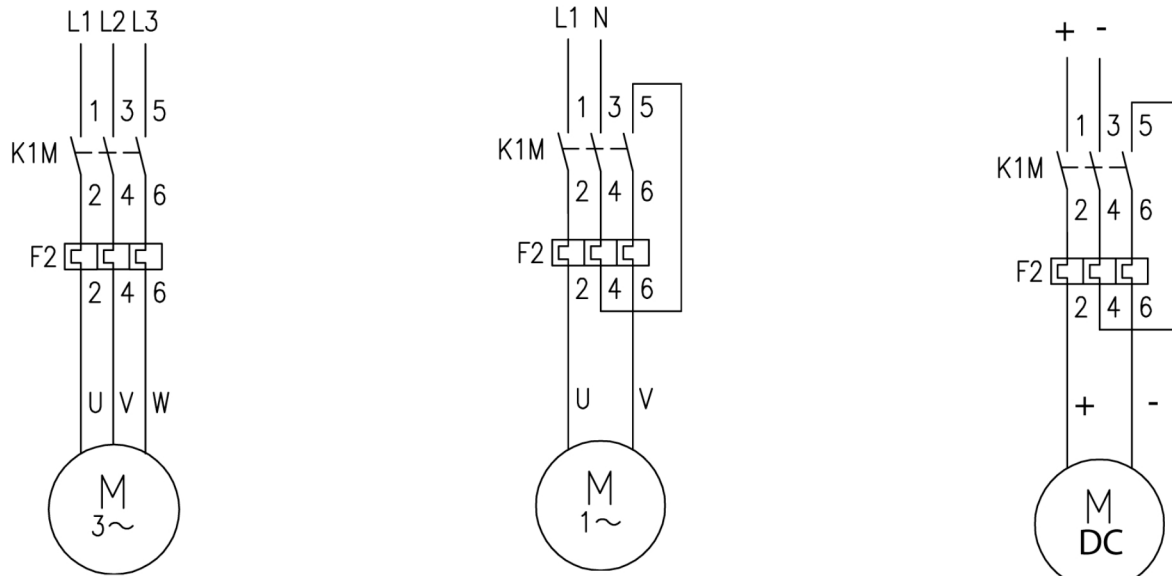
Motor Control and Drives > Motor Starting and Protection > Motor Protection > Sprecher + Schuh Overloads > Thermal (Bi-Metallic) Overloads > CT7N Thermal Overloads



Contactor + Overload	a	b	b1	c1	c2	c3	ød	e1	e2	f1	f2	g	h	j	k1	k2
CA7-9...23 + CT7N-23-A16...C25	45	136.5	43	81.5	80.5	5	4.5	37.5	55	40.5	68.5	35	60	63.5	29	37.5
CA7-30...37 + CT7N-37-C20...C25	45	136.5	43	99.5	89	5	4.5	37.5	60.5	45.5	73	35	60	63.5	29	37.5
CA7-30...37 + CT7N-37-C30...C38	45	149	43	99.5	89	5	4.5	37.5	60.5	47	73	35	60	63.5	29	37.5
CA7-43 + CT7N-43-C25...C47	54	149	43	102	100	5	4.5	37.5	61	48	88	45	60	66.5	34	42.5
CA7-60...85 + CT7N-85-C47...C90	72	191	64	120	108	5.5	5.4	45	74	55.5	80	55	100	87.5	41.5	50

Dimension Diagram

Connection Diagrams



Connection / Wiring Diagram