

Large LED Exit Signs

CAT NO. 684481/LI, 684482/LI, 684483/LI, 684484/LI, 684485/LI, 684486/LI, 684487/LI, 684488/LI, 684489/LI, 684490/LI, 684491/LI, 684492/LI, 684493/LI, 684494/LI, 684495/LI, 684496/LI, 684497/LI, 684498/LI, 684499/LI, 684500/LI, 684501/LI, 684502/LI, 684503/LI, 684504/LI, 684505/LI, 684506, 684507, 684508, 684509, 684511/LI, 684512/LI, 684513/LI, 684514/LI, 684515/LI

32M



684481/LI

48M



684486/LI

60M



684501/LI

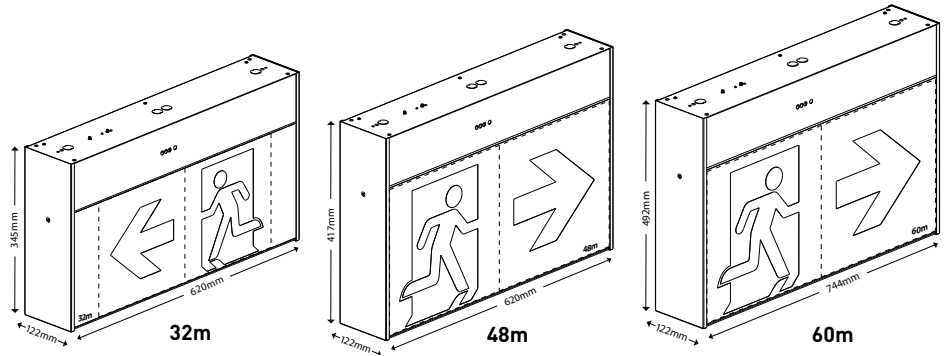
Operating Mode	Maintained
Operating Voltage	240 Vac (+/- 6%) 50 Hz
Power Consumption	4.5W
Battery	Liion 6.4V, 1.5Ah
Operating Temperature	10°C to 40°C
Body Construction	Zinc coated steel finished in white powder coat
Diffuser	Injection moulded acrylic
Compliance	AS/NZS 2293 AS/NZS 60598

Large LED Exit Signs

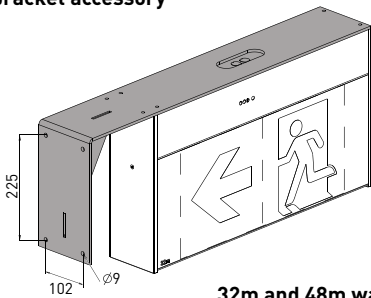
CAT NO. 684481/LI, 684482/LI, 684483/LI, 684484/LI, 684485/LI, 684486/LI, 684487/LI, 684488/LI, 684489/LI, 684490/LI, 684491/LI, 684492/LI, 684493/LI, 684494/LI, 684495/LI, 684496/LI, 684497/LI, 684498/LI, 684499/LI, 684500/LI, 684501/LI, 684502/LI, 684503/LI, 684504/LI, 684505/LI, 684506, 684507, 684508, 684509, 684511/LI, 684512/LI, 684513/LI, 684514/LI, 684515/LI

- iSmart™ temperature sensing technology for the LIION battery
- Electronics designed to lengthen the life of the battery, minimising maintenance costs
- Environmentally friendly battery
- Ceiling mounted
- Robust construction
- Suitable for shopping malls, exhibition halls, sports venues and industrial applications
- 3 large sizes for increased viewing distances: 32m, 48m or 60m
- Two installation wall brackets available
- 5 year warranty
- Designed and manufactured in Australia

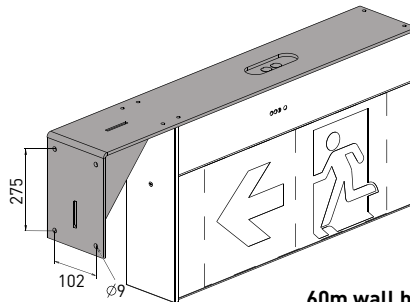
DIMENSIONS



Wall bracket accessory

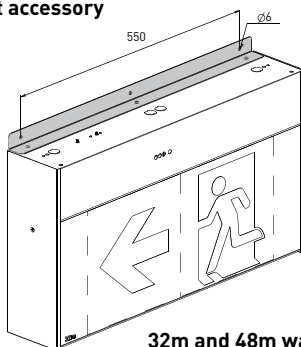


32m and 48m wall bracket
Cat no. 684508

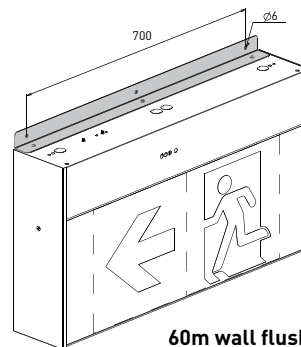


60m wall bracket
Cat no. 684506

Wall flush bracket accessory



32m and 48m wall flush bracket
Cat no. 684509



60m wall flush bracket
Cat no. 684507

Large LED Exit Signs

CAT NO: **684481/LI, 684482/LI, 684483/LI, 684484/LI, 684485/LI, 684486/LI, 684487/LI, 684488/LI, 684489/LI, 684490/LI, 684491/LI, 684492/LI, 684493/LI, 684494/LI, 684495/LI, 684496/LI, 684497/LI, 684498/LI, 684499/LI, 684500/LI, 684501/LI, 684502/LI, 684503/LI, 684504/LI, 684505/LI, 684506, 684507, 684508, 684509, 684511/LI, 684512/LI, 684513/LI, 684514/LI, 684515/LI**

Cat No	Description	Weight
32m		
684481/LI	Lge Exit SS RM 32M	4.8kg
684482/LI	Lge Exit SS RML 32M	4.8kg
684483/LI	Lge Exit SS RMR 32M	4.8kg
684484/LI	Lge Exit DS RM 32M	4.8kg
684485/LI	Lge Exit DS RML/R 32M	4.8kg
684491/LI	Lge Exit SS RM 32M Axiom	4.8kg
684492/LI	Lge Exit SS RML 32M Axiom	4.8kg
684493/LI	Lge Exit SS RMR 32M Axiom	4.8kg
684494/LI	Lge Exit DS RM 32M Axiom	4.8kg
684495/LI	Lge Exit DS MNM RMLR 32M Axiom	4.8kg
48m		
684486/LI	Lge Exit SS RM 48M	5.2kg
684487/LI	Lge Exit SS RML 48M	5.2kg
684488/LI	Lge Exit SS RMR 48M	5.2kg
684489/LI	Lge Exit DS RM 48M	5.2kg
684490/LI	Lge Exit DS MNM RMLR 48M	5.2kg
684496/LI	Lge Exit SS RM 48M Axiom	5.2kg
684497/LI	Lge Exit SS RML 48M Axiom	5.2kg
684498/LI	Lge Exit SS RMR 48M Axiom	5.2kg
684499/LI	Lge Exit DS RM 48M Axiom	5.2kg
684500/LI	Lge Exit DS MNM RMLR 48M Axiom	5.2kg
60m		
684501/LI	Lge Exit SS RM 60M	6.9kg
684502/LI	Lge Exit SS RML 60M	6.9kg
684503/LI	Lge Exit SS RMR 60M	6.9kg
684504/LI	Lge Exit DS RM 60M	6.9kg
684505/LI	Lge Exit DS RML/R 60M	6.9kg
684511/LI	Lge Exit SS RM 60M Axiom	6.9kg
684512/LI	Lge Exit SS RML 60M Axiom	6.9kg
684513/LI	Lge Exit SS RMR 60M Axiom	6.9kg
684514/LI	Lge Exit DS RM 60M Axiom	6.9kg
684515/LI	Lge Exit DS RML/R 60M Axiom	6.9kg

RM = Running man straight, DS = Double sided, SS = Single sided
RML = Running man left, RMR = Running man right

Accessories	
684508	32/48m wall bracket
684506	60m wall bracket
684509	32/48m wall flush bracket
684507	60m wall flush bracket

Classification	
32m	C0: D12.5, C90: D5
48m	C0: D12.5, C90: D4
60m	C0: D10, C90: D3.2

Maximum Spacing between luminaires for 0.2 lux					
Mounting Height to AS 2293.1 - 2005	2.4	2.7	3.0	3.3	5
D3.2	6.6	6.6	6.5	6.4	4.1
D4	7.3	7.3	7.3	7.3	5.8
D5	8.0	8.1	8.2	8.2	7.3
D10	10.6	10.9	11.1	11.3	11.6
D12.5	11.5	11.8	12.1	12.4	13.0

Maximum Spacing between luminaires for 1 lux					
Mounting Height to AS 2293.1 - 2005	2.4	2.7	3	3.3	5
2.4	2.7	3	3.3	5	4.1
D4	7.3	7.3	7.3	7.3	5.8
D5	8.0	8.1	8.2	8.2	7.3
D10	10.6	10.9	11.1	11.3	11.6
D12.5	11.5	11.8	12.1	12.4	13.0

Legrand Australia
1300 369 777
www.legrand.com.au
ABN 31 000 102 661

Legrand New Zealand
0800 476 009
www.legrand.co.nz

Refer to your group buying office, Legrand Sales Representative or Legrand Sales Office for pricing.

Please note: specifications are subject to change without prior notice.