

ISO - TP LOW VOLTAGE METRIC INSULATORS

☞ **Insulators:**

The Low voltage insulators are mainly used to fix the active copper bar conductors or to support earthing bars.

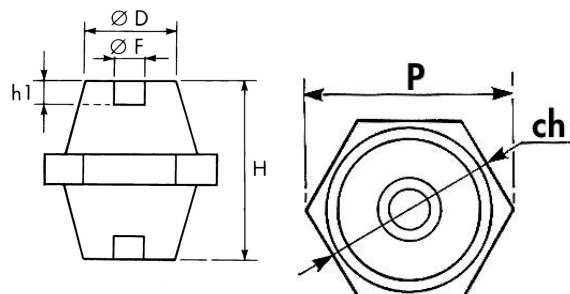




☞ **Technical data:**

- Working temperature -40°C up to 130°C
- Polyamide material reinforced with glass fibre,
- Halogen free
- Zinc plated steel inserts, threaded to ISO standard
- Great stability of electrical and mechanical parameters
- Self-extinguishing: UL 94 VO

☞ **Certificates:**

- CE Conformity
- ROHS 2002/95/EC Compliance
- IEC 60 439.1 compliance
- GOST Certificate (Russian territory)
- **CSA** **UL** **US** for Canadian and US territory (only for female-female insulators)

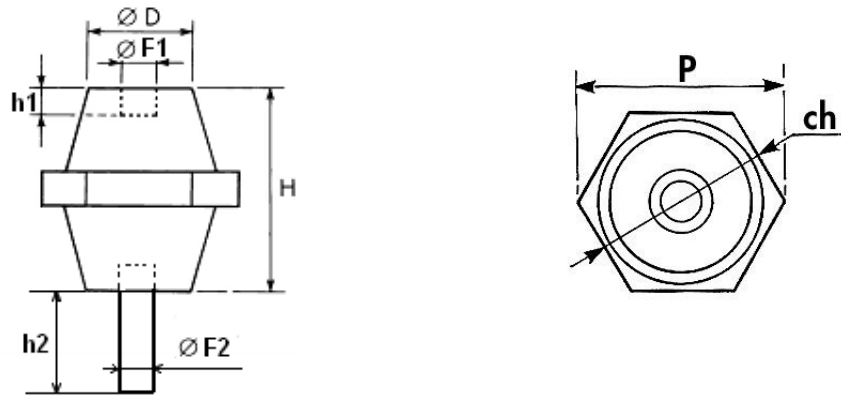




Part No	Description	H (mm)	Ch (mm)	&F (mm)	h1 (mm)	& D (mm)	P (mm)		
548400	ISO TP 15M4	15	14	M4 X 0,7	4	12	16	50	0,005 kg
548410	ISO TP 20M4	20	17	M4 X 0,7	4	15	20	50	0,008 kg
548420	ISO TP 20M6	20	17	M6 X 1	6	15	20	50	0,012 kg
548700	ISO TP 25M5	25	19	M5 X 0,8	6	18	20	50	0,016 kg
548430	ISO TP 25M6	25	19	M6 X 1	6	18	20	50	0,016 kg
548440	ISO TP 30M6	30	30	M6 X 1	8	26	34	25	0,034 kg
548450	ISO TP 30M8	30	30	M8 X 1,25	8	26	34	25	0,046 kg
548470	ISO TP 35M6L	35	41	M6 X 1	8	34	46	25	0,062 kg
548480	ISO TP 35M8	35	41	M8 X 1,25	8	34	46	25	0,074 kg
548490	ISO TP 35M10*	35	41	M10 X 1,5	10	34	46	25	0,092 kg
548500	ISO TP 40M6	40	46	M6 X 1	9	40	53	25	0,098 kg
548510	ISO TP 40M8	40	46	M8 X 1,25	8	40	53	25	0,104 kg
548520	ISO TP 40M10	40	46	M10 X 1,5	10	40	53	25	0,102 kg
548511	ISO TP 40M12	40	46	M12 X 1,75	14,5	40	53	25	0,102 kg
548530	ISO TP 45M6	45	41	M6 X 1	9	34	47	25	0,104 kg
548540	ISO TP 45M8	45	41	M8 X 1,25	15	34	47	25	0,136 kg
548550	ISO TP 45M8L	45	50	M8 X 1,25	15	41	57	25	0,132 kg
548560	ISO TP 45M10	45	50	M10 X 1,5	10	41	57	25	0,116 kg
548570	ISO TP 50M6	50	50	M6 X 1	9	41	57	25	0,152kg
548580	ISO TP 50M8	50	50	M8 X 1,25	15	41	57	25	0,148 kg
548590	ISO TP 50M10	50	50	M10 X 1,5	10	41	57	25	0,196 kg
548581	ISO TP 50M12	50	50	M12 X 1,75	14,5	41	57	25	0,190 kg
548600	ISO TP 60M8	60	55	M8 X 1,25	15	44	63	25	0,192 kg
548610	ISO TP 60M10	60	55	M10 X 1,5	10	44	63	25	0,380 kg
548601	ISO TP 60M12	60	55	M12 X 1,75	14,5	44	63	25	0,360kg
548602	ISO TP 60M16	60	55	M16 X 2	20	44	63	25	0,350kg
548609	ISO TP 70M10	70	65	M10 X 1,5	10	52	75	10	0,480kg

548620	ISO TP 70M12	70	65	M12 X 1,75	14	52	75	10	0,470 kg
548630	ISO TP 70M16	70	65	M16 X 2	20	52	75	10	0,374 kg
548629	ISO TP 75M10	75	65	M10 X 1,5	10	51	75	10	0,530 kg
548640	ISO TP 75M12	75	65	M12 X 1,75	14	51	75	10	0,470 kg
548650	ISO TP 75M16	75	65	M16 X 2	20	51	75	10	0,382 kg
548660	ISO TP 80M12	80	65	M12 X 1,75	14	52	75	10	0,510kg
548670	ISO TP 80M16	80	65	M16 X 2	20	52	75	10	0,404 kg
548680	ISO TP 100M12	100	65	M12 X 1,75	14	46	75	10	0,476 kg
548690	ISO TP 100M16	100	65	M16 X 2	20	46	75	10	0,508 kg

q Electrical and mechanical characteristics:

Part No	Description	Nominal voltage		Mechanical	
		Alternating (V)	Direct (V)	Tensile strength (daN)	Bending strength (daN)
548400	ISO TP 15M4	500	500	150	100
548410	ISO TP 20M4	1000	1500	150	100
548420	ISO TP 20M6	1000	1500	150	100
548700	ISO TP 25M5	1000	1500	300	160
548430	ISO TP 25M6	1000	1500	300	160
548440	ISO TP 30M6	1000	1500	600	300
548450	ISO TP 30M8	1000	1500	600	300
548470	ISO TP 35M6L	1000	1500	1100	500
548480	ISO TP 35M8	1000	1500	1100	800
548490	ISO TP 35M10*	1000	1500	1100	800
548500	ISO TP 40M6	1000	1500	1100	800
548510	ISO TP 40M8	1000	1500	1100	800
548520	ISO TP 40M10	1000	1500	1100	450
548511	ISO TP 40M12	1000	1500	1100	450
548530	ISO TP 45M6	1000	1500	1100	650
548540	ISO TP 45M8	1000	1500	1100	650
548550	ISO TP 45M8L	1000	1500	1800	1000
548560	ISO TP 45M10	1000	1500	1800	700
548570	ISO TP 50M6	1000	1500	2000	700
548580	ISO TP 50M8	1000	1500	2000	1000
548590	ISO TP 50M10	1000	1500	2000	1000
548581	ISO TP 50M12	1000	1500	2000	1000
548600	ISO TP 60M8	1000	1500	2200	1000
548610	ISO TP 60M10	1000	1500	2200	1000
548601	ISO TP 60M12	1000	1500	2200	1000
548602	ISO TP 60M16	1000	1500	2200	1000
548609	ISO TP 70M10	1000	1500	2200	1000
548620	ISO TP 70M12	1000	1500	2500	1600
548630	ISO TP 70M16	1000	1500	2500	1600
548629	ISO TP 75M10	1000	1500	2200	1000
548640	ISO TP 75M12	1000	1500	3000	1600
548650	ISO TP 75M16	1000	1500	3000	1600
548660	ISO TP 80M12	1000	1500	3000	1600
548670	ISO TP 80M16	1000	1500	3000	1600
548680	ISO TP 100M12	1000	1500	3000	1000
548690	ISO TP 100M16	1000	1500	3000	1500



Part No	Description	H (mm)	Ch (mm)	&F1 (mm)	h1 (mm)	&F2 (mm)	H2 (mm)	& D (mm)	P (mm)		
541600	ISO TP 60F10M16	60	55	M10 X 1,5	10	M16 X 2	40	44	63	25	0,45 kg
541601	ISO TP 60F12M16	60	55	M12 X 1,75	14	M16 X 2	40	44	63	25	0,44 kg

¶ **Electrical and mechanical characteristics:**

Part No	Description	Nominal voltage		Mechanical	
		Alternating (V)	Direct (V)	Tensile strength (daN)	Bending strength (daN)
541600	ISO TP 60F10M16	1000	1500	2200	1000
541601	ISO TP 60F12M16	1000	1500	2200	1000