



Representative Photo Only  
(actual product may vary based on configuration selections)

Base For 4661 Relay Box Clamp w/Plastic Clip

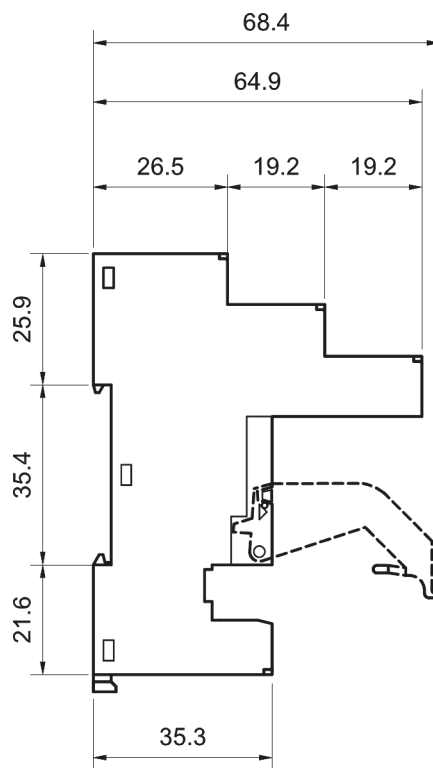
- Complete range from PCB to power relays to cover all of your switching requirements
- Certifications and approvals including CE, EAC, PCT, RINA, VDE and RoHS, providing quality assurance of a market leading product.
- Compact construction allowing for most efficient use of space

**SPECIFICATIONS**

Product Series	46
Component Type Timers and Control relays	Relay Base
Height	32.8 mm
Width	29 mm
Depth	12.4 mm
Shock Acceleration (Max.)	20 g
Shock Duration (Max.)	4 ms
Vibration Acceleration (Max.)	20 m/s <sup>2</sup>
Vibration Frequency, Operational (Max.)	150 Hz
Certifications	CE CCC CSA EAC GOST-R IMQ C-UR-US VDE
Shipping Approvals	Lloyd's Register of Shipping RINA (Registro Italiano Navale)



REFERENCES	
IECEX Certificate	-
Supplier Declaration of Conformity:	-
Installation Guide:	-
User Manual:	-
Manufacturer Datasheet:	-
Manufacturer Catalogue & Product Selection:	-

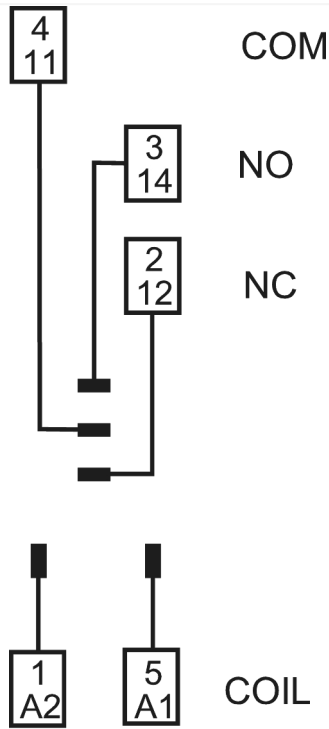


Dimension Diagram

Catalogue No: **97.01**

**BASE FOR 4661 RELAY BOX CLAMP W/PLASTIC CLIP**

Timers and Control Relays > General Purpose Relays > Electromechanical Relays > Finder Electromechanical Relays > PCB and Miniature Relays > 46 Series Miniature Industrial Relays



Connection / Wiring Diagram