

Catalogue No: **MOLED125-02G**  
**BEACON 48 LED ST OR FL 24V DC GREEN**

Signalling Devices > Sight Indication > Beacons > Moflash Beacons > LED Beacons > MOLEDD125 Series - LED Beacons



Representative Photo Only  
 (actual product may vary based on configuration selections)

LED Beacon 24V DC - Green Lens - with 3 Mode Flash Rate.  
 Static, 60 Flashes Per Minute or 120 Flashes Per Minute

- Complete visual signalling range from high efficiency static or flashing LED's to high discharge Xenon beacons to rotating parabolic reflector beacons, we have the solution suitable for your application.
- Available in a variety of frame sizes and with accessories such as protective cages and brackets to cater to your mounting requirements.
- Multiple colour varieties available including Red, Green, Amber and Blue to convey whichever message is required.

#### SPECIFICATIONS

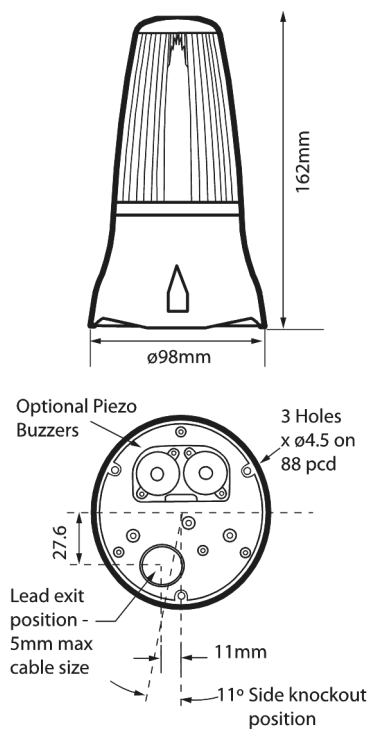
Product Series	LEDD125
Indication Mode(s)	Sight
Lamp Type	LED type
Number of LEDs	48
Colour, Lamp	Green colour
Illumination Mode	Steady / Flashing
Speed, Flash	120 per min
Details, Speed	Flash speed configurable at either 60 or 120 flashes per min
Material, Lens	PC (Polycarbonate) - UV Stabilised
Un, Nominal Operational Voltage, DC	24 V DC
Input Frequency, Nom	50 / 60 Hz
Ie, Rated Operational Current, nom	0.17 A,nom
Ie, Rated Operational Current, nom	0.17 A,nom
Material, Base	ABS
Connection / Termination	Fixed (non-removable) Terminal Block
Number of Terminals	2 qty
Mounting, Terminal Block	Internal Mount
IP Rating	IP65
Mounting (Multiple)	Surface Mount Wall Mount
Width	98 mm
Depth	162 mm
Weight	0.33 kg
Operating Temperature, Min	-20 °C min
Operating Temperature, Max	45 °C max
Certifications	CE RoHS

Catalogue No: **MOLED125-02G**  
**BEACON 48 LED ST OR FL 24V DC GREEN**

Signalling Devices > Sight Indication > Beacons > Moflash Beacons > LED Beacons > MOLEDD125 Series - LED Beacons



REFERENCES	
IECEX Certificate	-
Supplier Declaration of Conformity:	-
Installation Guide:	<a href="#">MOLED125-02G_Installation Instructions</a>
User Manual:	-
Manufacturer Datasheet:	<a href="#">MOLED125-02G_ManufacturerDatasheet</a>
Manufacturer Catalogue & Product Selection:	-



Dimension Diagram