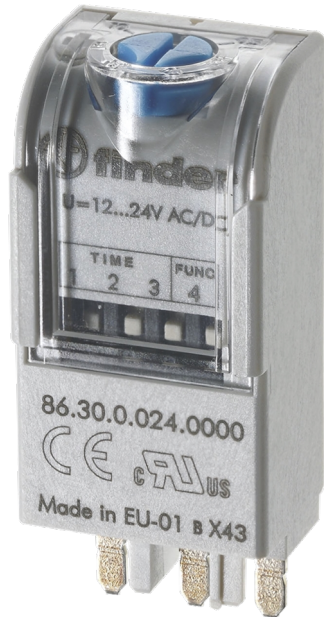


Catalogue No: **86.30 24 V AC/DC**

BIFUNCTION TIMER MODULE 12-24VACDC

Timers and Control Relays > General Purpose Relays > Electromechanical Relays > Finder Electromechanical Relays > Plug-In Modules for Interface / Power / PCB and Miniature Relays > Timing Module



Representative Photo Only
(actual product may vary based on configuration selections)

Bifunction Timer Module 12-24V AC/DC

- Complete range from PCB to power relays to cover all of your switching requirements
- International certifications and approvals including CE, CSA, EAC, PCT, RINA, VDE and RoHS, providing quality assurance of a market leading product
- Compact construction allowing for most efficient use of your space

SPECIFICATIONS

Component Type Timers and Control relays	Timing Module
In, Rated Current	12 A
Icw, Short Time Withstand Current, 10ms (rms)	20 A, 10ms
Un, Nominal Operational Voltage, AC	250 V AC
Ue, Rated Operational Voltage, AC, max	400 V AC
Contact Breaking Capacity, DC1, 30V	12 A
Contact Breaking Capacity, DC1, 110V	0.5 A
Contact Breaking Capacity, DC1, 220V	0.25 A
Rated Load, AC-1	3000 VA
Rated Load, AC-15	700 VA
Contact Rated Power, Single Phase Motor, 230V AC	0.55 kW
Coil Type	AC/DC
Material, Contacts	Silver Nickel (AgNi) material

REFERENCES

IECEX Certificate	-
Supplier Declaration of Conformity:	-
Installation Guide:	-
User Manual:	-
Manufacturer Datasheet:	-
Manufacturer Catalogue & Product Selection:	-

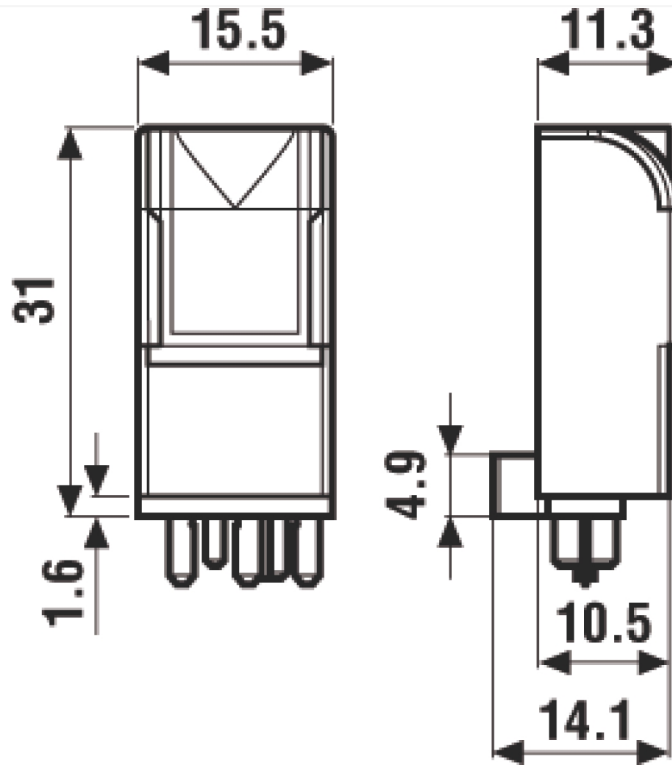
Catalogue No: **86.30 24 V AC/DC**

BIFUNCTION TIMER MODULE 12-24VACDC

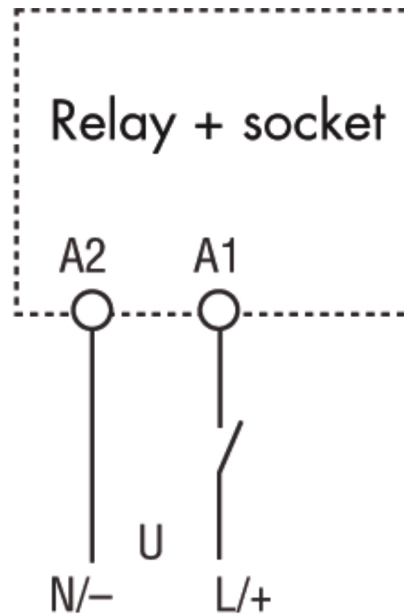
Timers and Control Relays > General Purpose Relays > Electromechanical Relays > Finder Electromechanical Relays > Plug-In Modules for Interface / Power / PCB and Miniature Relays > Timing Module



86.30



Dimension Diagram

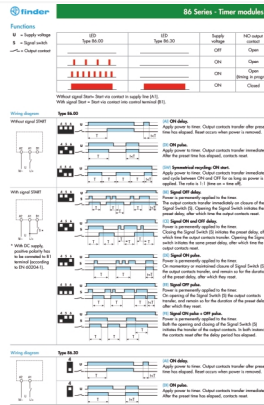


Wiring diagram

Connection / Wiring Diagram

Catalogue No: **86.30 24 V AC/DC** **BIFUNCTION TIMER MODULE 12-24VACDC**

Timers and Control Relays > General Purpose Relays > Electromechanical Relays > Finder Electromechanical Relays > Plug-In Modules for Interface / Power / PCB and Miniature Relays > Timing Module



Technical Diagram